

## Mechanical Oil Flow Meter (Positive Displacement Flow Meter)

Cumulative & Resettable  
Batch total + Pulse/4-20mA  
Output



only cumulative total,  
+ Pulse/ 4-20mA Output

**ASP-PDM-SIZE-C**

only cumulative total,  
No Resettable Batch total



Both Cumulative total,  
& Resettable Batch total

**ASP-PDM-SIZE-B**



## Mechanical Oil Flow Meter (Positive Displacement Flow Meter)

cast steel , cast iron, stainless steel and cast aluminum

oval gear mechanical Oil PD flow meter,

Mechanical dial flow meter has variety of counter as per customer requirement

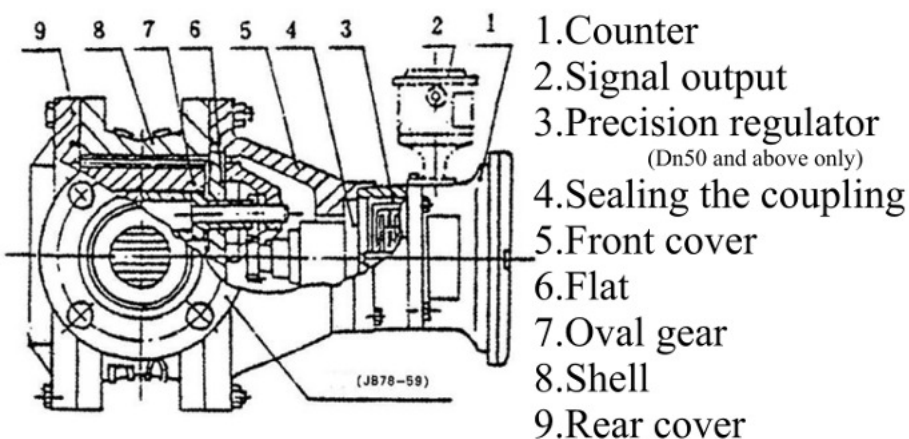
- \* only cumulative total, no resettable total
- \* cumulative total + resettable total
- \* cumulative total + pulse output/4 to 20 mA output
- \* cumulative total + resettable total + pulse output/4 to 20 mA output

PD Flow meter Produced as per application :

- \* cast iron oval gear flow meter is widely used in the metering of various oil products and liquids having no corrosion to the cast iron material.
- \* cast steel oval gear flow meter is used for high-pressure, low-corrosion liquid media.
- \* cast Aluminum oval gear flow meter is widely used in the metering of low-viscosity low-corrosion (such as gasoline) liquid media and its rotor is made of Aluminum Alloy.
- \* stainless steel oval gear flow meter are widely used in the metering of liquid media with high corrosion, such as acid, alkali, salt and organic compound, and some other liquid, like: milk, alcohol, chemical and pharmaceutical drug etc.

### Future:

- \* Accuracy class: Class 0.5, Class 0.2;
- \* Medium temperature:  $-20^{\circ}\text{C} \sim 100^{\circ}\text{C}$ , added with high-temperature radiating cylinder, the temperature can reach  $100^{\circ}\text{C} - 280^{\circ}\text{C}$ ;
- \* Anti-explosion class of remote display site: EXIAIICT5, DIIBT4.
- \* optional output : 4 TO 20mA, Pulse, RS 485,



### ASCORP Pressuremesstechnik

Technology Partner : ASMA INDUSTRIAL CORPORATION

Registered Office : 83/85, Netaji Subhas Road, Ground Floor, Shop No. A30, Kolkata - 700 001

Ph No. +91 033 22310235, 39855209

Showroom : 40, Netaji Subhas Road, Ground Floor, Kolkata - 700 001

E-Mail : SALES : sales@asmaindustrial.com

SERVICE : service@asmaindustrial.com



# Mechanical Oil Flow Meter (Positive Displacement Flow Meter)

## General Technical data:

### **CE certified product**

Working principle: oval gear positive displacement

Accuracy : **0.5% / 0.2 %fsd**

**Repeatability: 0.03%**

Maximum working pressure: 2 Mpa / 6.4 MPa

Fluid & Ambient temperature: -40 to 100°C,

Extender up to 280 deg C (OPTIONAL)

Viscosity : 1000 cps maximum

### Material of construction:

Rotor and casing : cast iron / cast steel  
/ stainless steel / aluminium

O-ring : NBR/VITON/SILICON

Shaft : Stainless Steel

Process connection: standard flange

Flow range: as on below model no wise table

line size : 15 mm,	flow range : 0.15 to 1.5 m <sup>3</sup> /h
line size : 20 mm,	flow range : 0.3 to 3.0 m <sup>3</sup> /h
line size : 25 mm,	flow range : 1 to 6 m <sup>3</sup> /h
line size : 40 mm,	flow range : 1.5 to 15 m <sup>3</sup> /h
line size : 50 mm,	flow range : 2.4 to 24 m <sup>3</sup> /h
line size : 80 mm,	flow range : 8 to 80 m <sup>3</sup> /h
line size : 100 mm,	flow range : 10 to 100 m <sup>3</sup> /h
line size : 150 mm,	flow range : 19 to 190 m <sup>3</sup> /h
line size : 200 mm,	flow range : 34 to 340 m <sup>3</sup> /h



### **ASCORP Pressuremesstechnik**

Technology Partner : ASMA INDUSTRIAL CORPORATION

Registered Office : 83/85, Netaji Subhas Road, Ground Floor, Shop No. A30, Kolkata - 700 001

Ph No. +91 033 22310235, 39855209

Showroom : 40, Netaji Subhas Road, Ground Floor, Kolkata - 700 001

E-Mail : SALES : [sales@asmaindustrial.com](mailto:sales@asmaindustrial.com) SERVICE : [service@asmaindustrial.com](mailto:service@asmaindustrial.com)